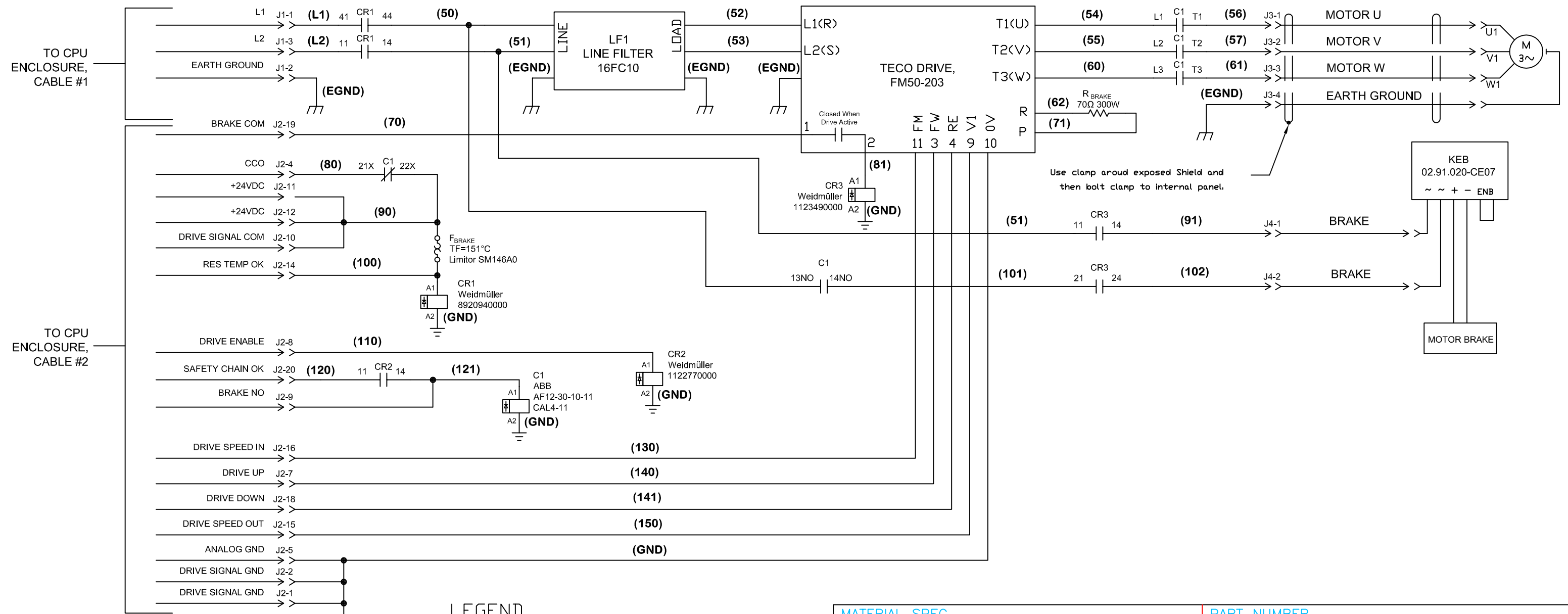


REVISIONS				
REV	DATE	ECN	DESCRIPTION OF CHANGE	BY
A	11/01/13	..	Original Issue	EJC
B	05/02/14	..	Added Wire Labels	EJC



LEGEND

	RELAY
	N.O. CONTACTS
	N.C. CONTACTS
(XXXX)	WIRE NUMBER

NOTES:
A. ...

MATERIAL SPEC.		PART NUMBER 80209362		
DIMENSIONS ARE IN INCHES, FRACTIONAL TOLERANCES ±1/32", DECIMAL TOLERANCES ±0.02", ANGULAR TOLERANCES ±1°, UNLESS OTHERWISE NOTED.				DWG. DATE 11/01/13
 HARRISBURG, PA		DRAWING TITLE UNIVERSAL CONTROL, UC601 WINDING DRUM MOTOR CONTROL ENCLOSURE SCHEMATIC DIAGRAM		DRAWING NO. 80209362
		DRAWN EJC	CHECKED	DESIGNED EJC
		INITIAL ECN	DWG. SCALE NONE	REV. LEVEL B