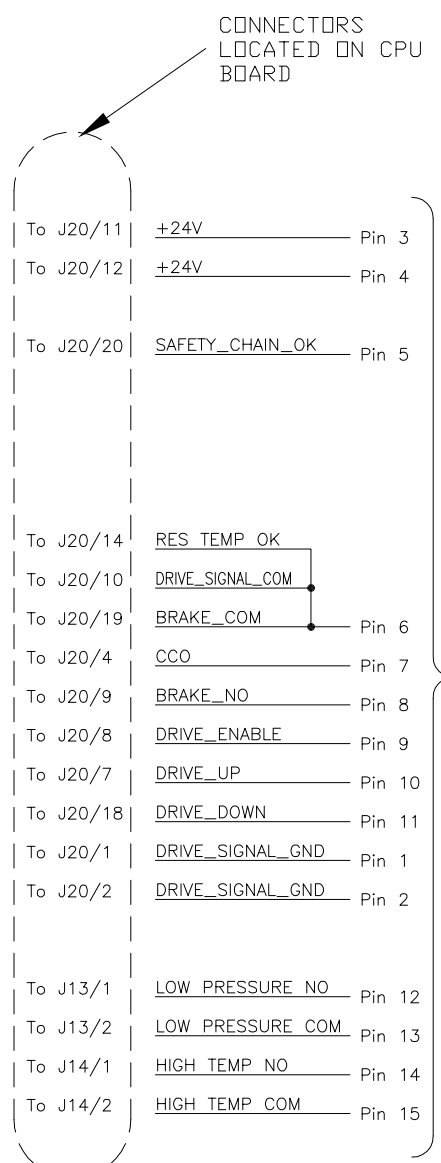
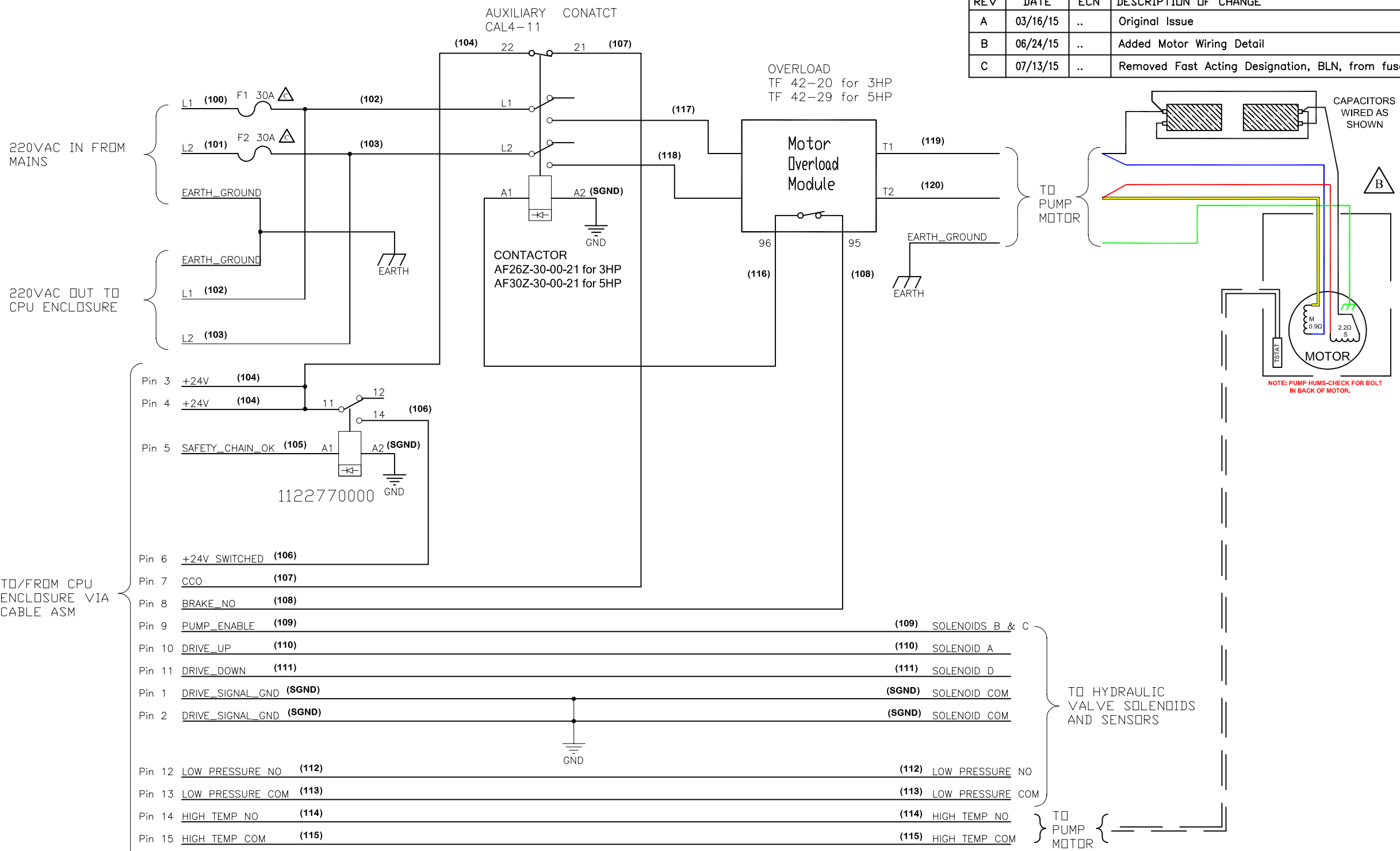


REVISIONS				
REV	DATE	ECN	DESCRIPTION OF CHANGE	BY
A	03/16/15	..	Original Issue	EJC
B	06/24/15	..	Added Motor Wiring Detail	EJC
C	07/13/15	..	Removed Fast Acting Designation, BLN, from fuses	EJC



TO/FROM CPU ENCLOSURE VIA CABLE ASM

CPU TO HYDRO MOTOR CONTROL BOX SIGNAL CABLE

NOTES:
A. ...

LEGEND

	RELAY
	N.O. CONTACTS
	N.C. CONTACTS
(XXXX)	WIRE NUMBER

MATERIAL SPEC.			PART NUMBER 80210785		
DIMENSIONS ARE IN INCHES, FRACTIONAL TOLERANCES ±1/32", DECIMAL TOLERANCES ±0.02", ANGULAR TOLERANCES ±1°, UNLESS OTHERWISE NOTED.					DWG. DATE 03/16/15
 HARRISBURG, PA			DRAWING TITLE		DRAWING NO. 80210785
			UNIVERSAL CONTROL, UC601 HYDRAULIC ELEVATOR PUMP CONTROL ENCLOSURE SCHEMATIC DIAGRAM		
DRAWN EJC	CHECKED	DESIGNED	APPROVED	INITIAL ECN	DWG. SCALE NONE
					REV. LEVEL C

NOTE: PUMP HUMS-CHECK FOR BOLT IN BACK OF MOTOR.