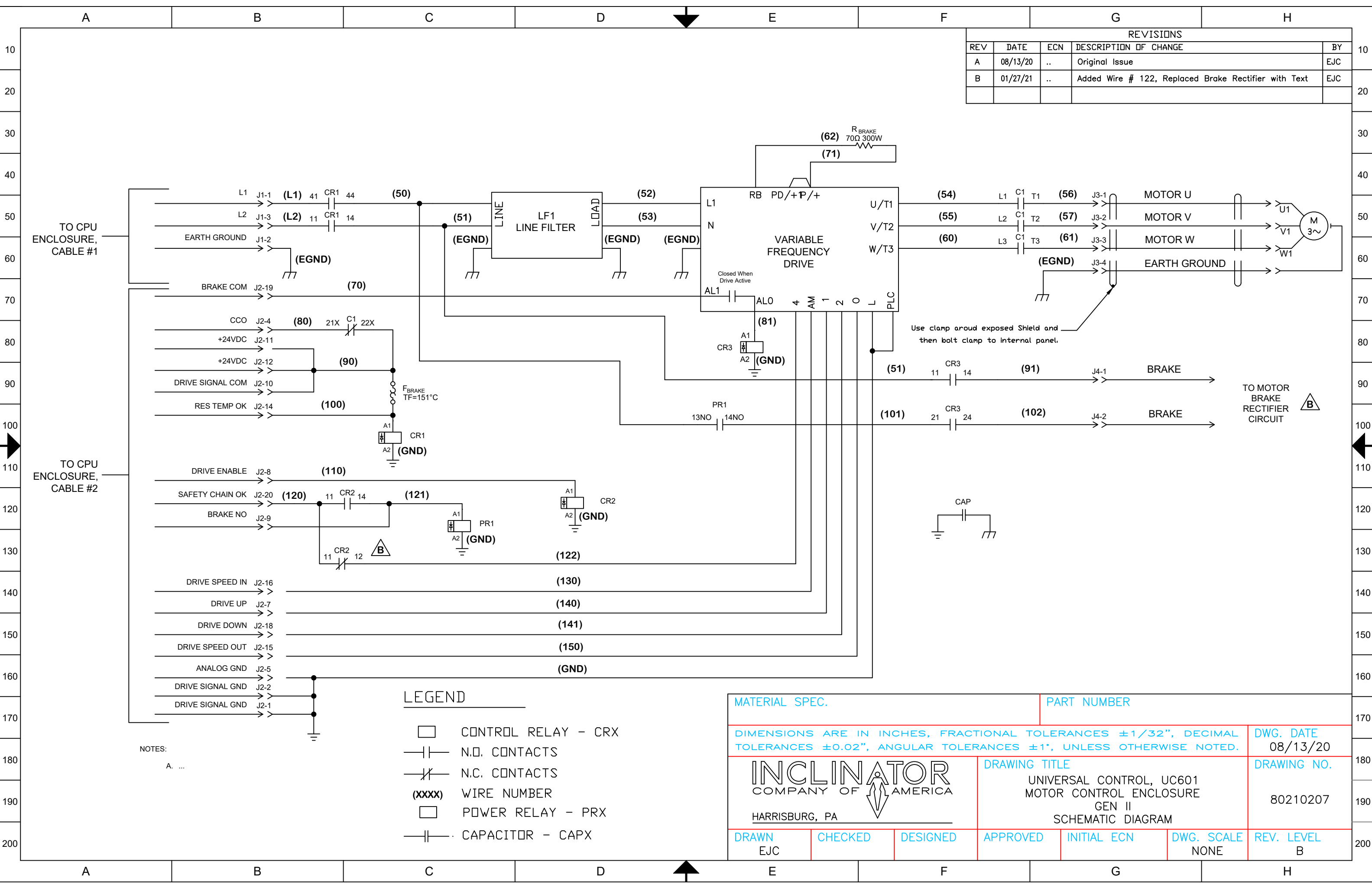


REVISIONS				
REV	DATE	ECN	DESCRIPTION OF CHANGE	BY
A	08/13/20	..	Original Issue	EJC
B	01/27/21	..	Added Wire # 122, Replaced Brake Rectifier with Text	EJC



NOTES:  
A. ...

**LEGEND**

	CONTROL RELAY - CRX
	N.O. CONTACTS
	N.C. CONTACTS
	WIRE NUMBER
	POWER RELAY - PRX
	CAPACITOR - CAPX

MATERIAL SPEC.			PART NUMBER			
DIMENSIONS ARE IN INCHES, FRACTIONAL TOLERANCES ±1/32", DECIMAL TOLERANCES ±0.02", ANGULAR TOLERANCES ±1°, UNLESS OTHERWISE NOTED.						DWG. DATE 08/13/20
 HARRISBURG, PA			DRAWING TITLE			DRAWING NO. 80210207
			UNIVERSAL CONTROL, UC601 MOTOR CONTROL ENCLOSURE GEN II SCHEMATIC DIAGRAM			
DRAWN EJC	CHECKED	DESIGNED	APPROVED	INITIAL ECN	DWG. SCALE NONE	REV. LEVEL B